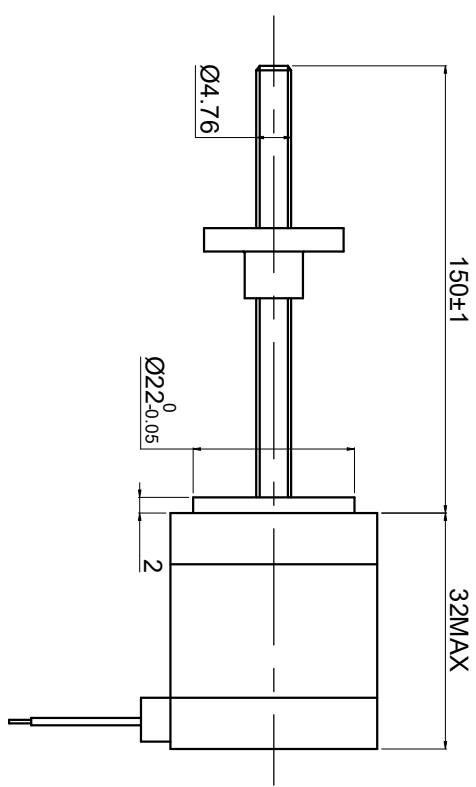
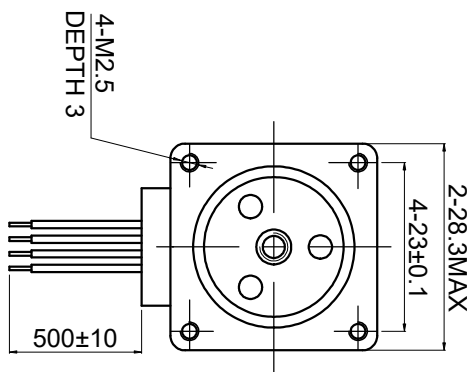
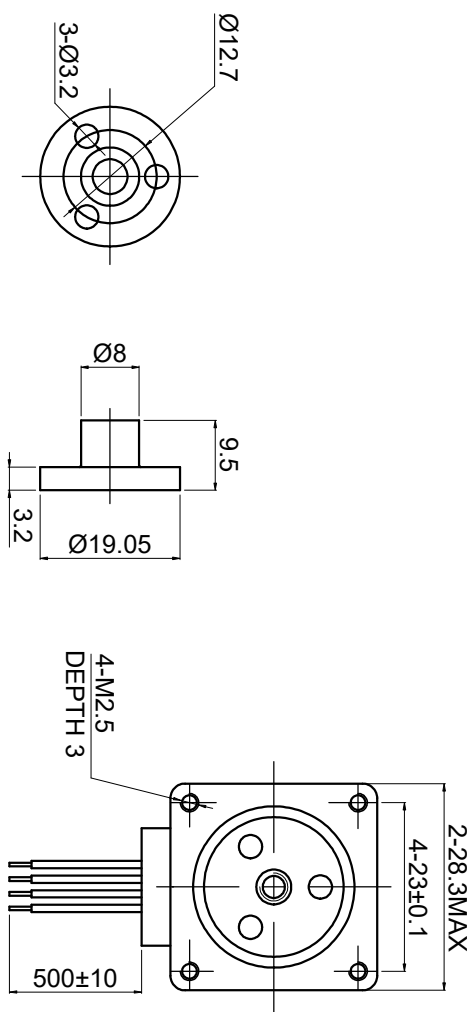


1Z39V ON GMD SR051-4QJFZ40SC1E111 ON TEGOM

CUSTOMER'S MODEL: NO MODEL  
END COVER COLOR: BLACK

REV.	REVISION RECORD	BY	DATE
0	ORIGIN	MYX	1.28.2026



SPECIFICATION	CONNECTION
AMPS/PHASE	BIPOLAR 0.42
RESISTANCE/PHASE(Ohms)@25°C	11.40±10%
INDUCTANCE/PHASE(mH)@1KHz	6.00±20%
HOLDING TORQUE(Nm)[Ib-In]	0.06[0.53]
STEP ANGLE(°)	1.80
STEP ACCURACY(NON-ACCUM)	±5.00%
LEAD(mm)	1.27
LINEAR TRAVEL/STEP(mm)	0.00635
AMBIENT TEMPERATURE	-10°C~50°C[14°F~122°F]
INSULATION CLASS	B 130°C[266°F]
TEMPERATURE RISE	MAX.80°C
AMBIENT HUMIDITY	MAX.85%

COMMENT:  
1. TMBF 6000h OR MORE @ 24V/3000RPM  
2. INSULATION RESISTANCE (NORMAL TEMPERATURE AND HUMIDITY): 100 Mohm  
3. DIELECTRIC STRENGTH 500VAC FOR 1MIN.(BETWEEN THE MOTOR COILS AND THE MOTOR CASE )

LINEAR ACTUATOR  
11E13S0424FD4-150RS  
S/N: XXXXXXXXXXXXX



MOTOR CONNECTION			
PIN NO	BIPOLAR	LEADS	WINDING
1	A+	RED	A+
2	A-	RED/WHT	A-
3	B+	GRN/WHT	A-
4	B-	GRN	B+

STEP	FULL STEP 2 PHASE-EX. WHEN FACING MOUNTING END (X)				CCW	CW
	A+	B+	A-	B-		
1	+	+	-	-	↑	↓
2	-	+	+	-		
3	-	-	+	+		
4	+	-	-	+		

DIMENSIONS ARE IN MILLIMETERS. TOLERANCES AS BELOW:		
DECIMALS	ANGLES	THIRD ANGLE PROJECTION
X ±0.5	±2°	
X X ±0.25		
X.XX ±0.13		

**STEPPERONLINE®**

LINEAR ACTUATOR

11E13S0424FD4-150RS

THIS DOCUMENT SHALL NOT BE REPRODUCED NOR SHALL THE INFORMATION CONTAINED HEREIN BE USED BY OR DISCLOSED TO OTHERS UNLESS EXPRESSLY AUTHORIZED IN BY WRITING STEPPERONLINE.

SIGNATURE	DATE	REV.	SCALE	DWG. NO.
DRN MYX	1.28.2026	1	3:2	A5327
APVD LJ	1.28.2026			